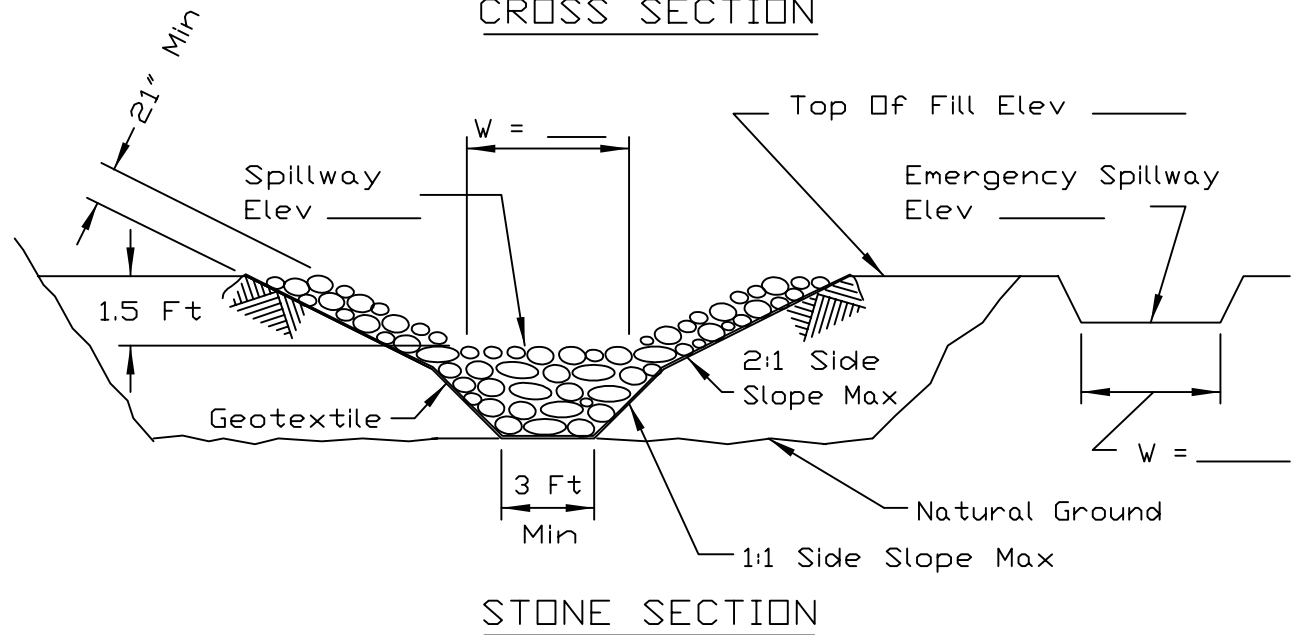
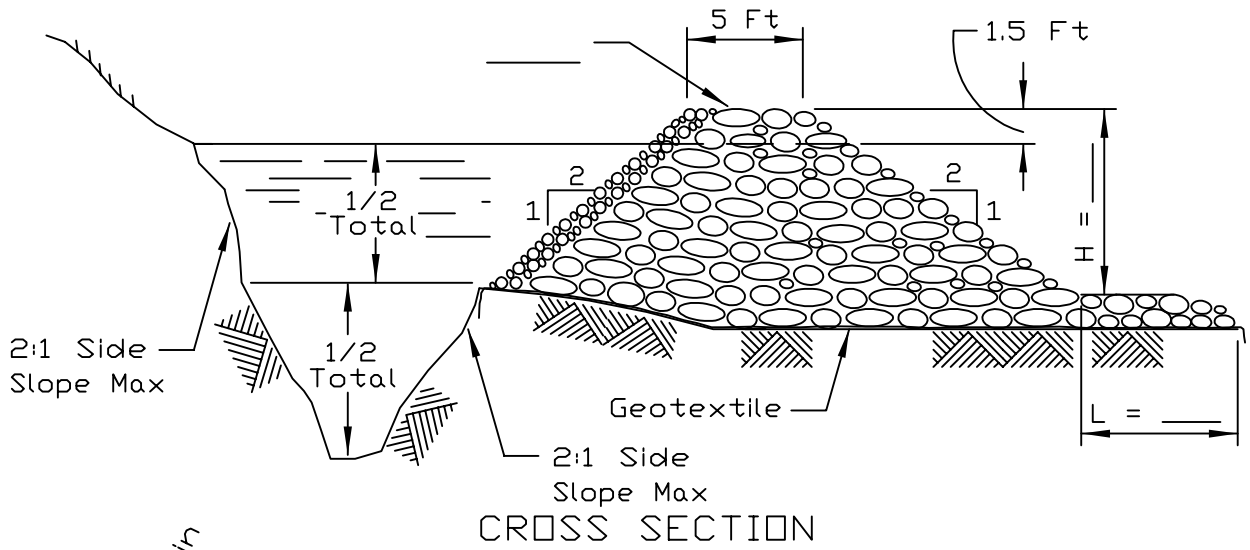


TEMPORARY SEDIMENT TRAP



NOTES:

1. If the sediment pool is formed or enlarged the side slope will be 2:1 or flatter.
2. The fill shall be constructed using IDOT RR-4 stone size. A 1' layer of IDOT CA-2 should be placed on the inside face to reduce the flow rate.
3. The rock will be placed according to construction specification 25 ROCKFILL. Placement will be by Method 1 and compaction will be class III.
4. The geotextile shall meet the requirements in material specification 592 GEOTEXTILE table 1 or 2, class I, II or IV.

REFERENCE	
Project	_____
Designed	_____ Date _____
Checked	_____ Date _____
Approved	_____ Date _____



STANDARD DWG. NO.
IL-660
SHEET 1 OF 1
DATE 11-20-01