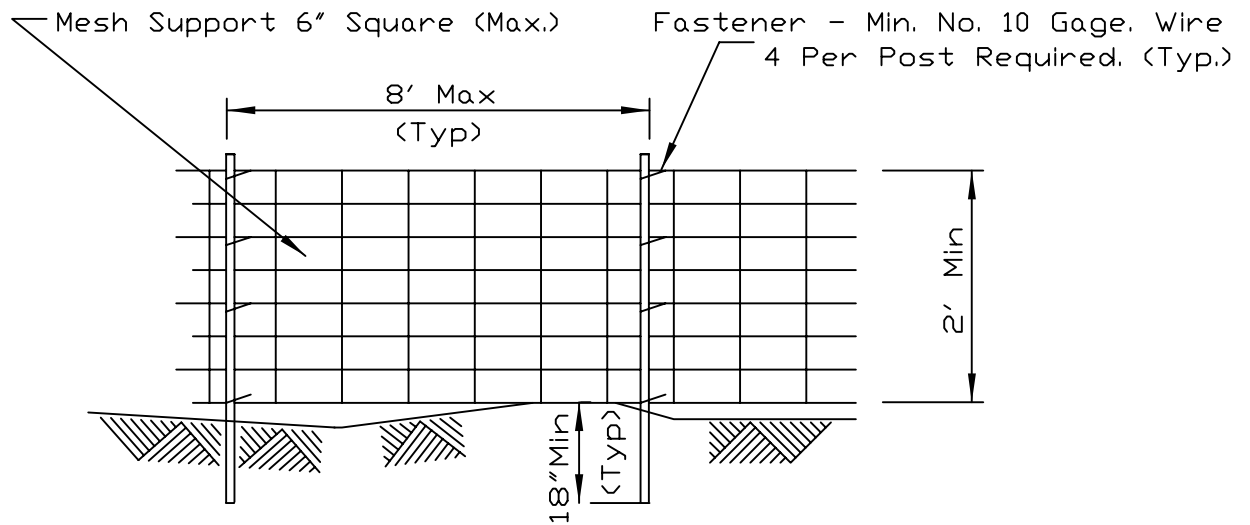
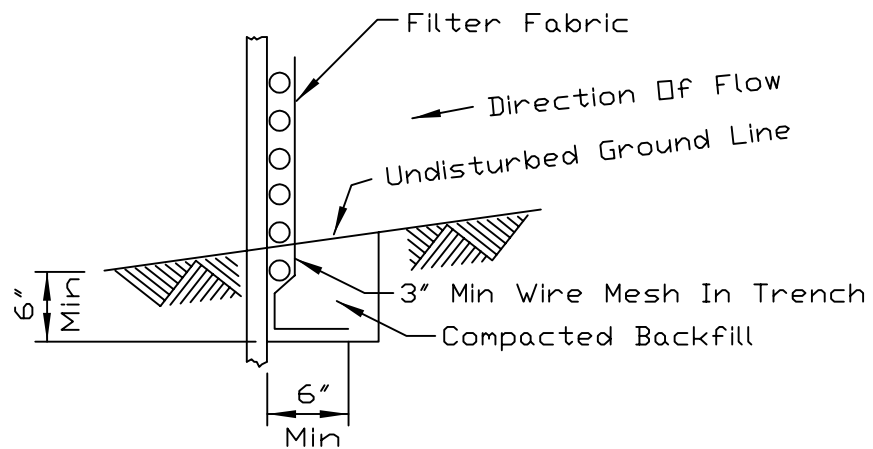


# SILT FENCE WITH WIRE SUPPORT PLAN



ELEVATION



FABRIC ANCHOR DETAIL

**NOTES:**

1. Wires of mesh support shall be min. gage no. 12.
2. Temporary sediment fence shall be installed prior to any grading work in the area to be protected. They shall be maintained throughout the construction period and removed in conjunction with the final grading and site stabilization.
3. Filter fabric shall meet the requirements of material specification 592 Geotextile Table 1 or 2, Class I with equivalent opening size of at least 30 for nonwoven and 50 for woven.
4. Fence posts shall be either standard steel post or wood post with a minimum cross-sectional area of 3.0 sq. in.

REFERENCE	
Project	_____
Designed	_____ Date _____
Checked	_____ Date _____
Approved	_____ Date _____



STANDARD DWG. NO.
IL-620W
SHEET 1 OF 2
DATE 3-3-95