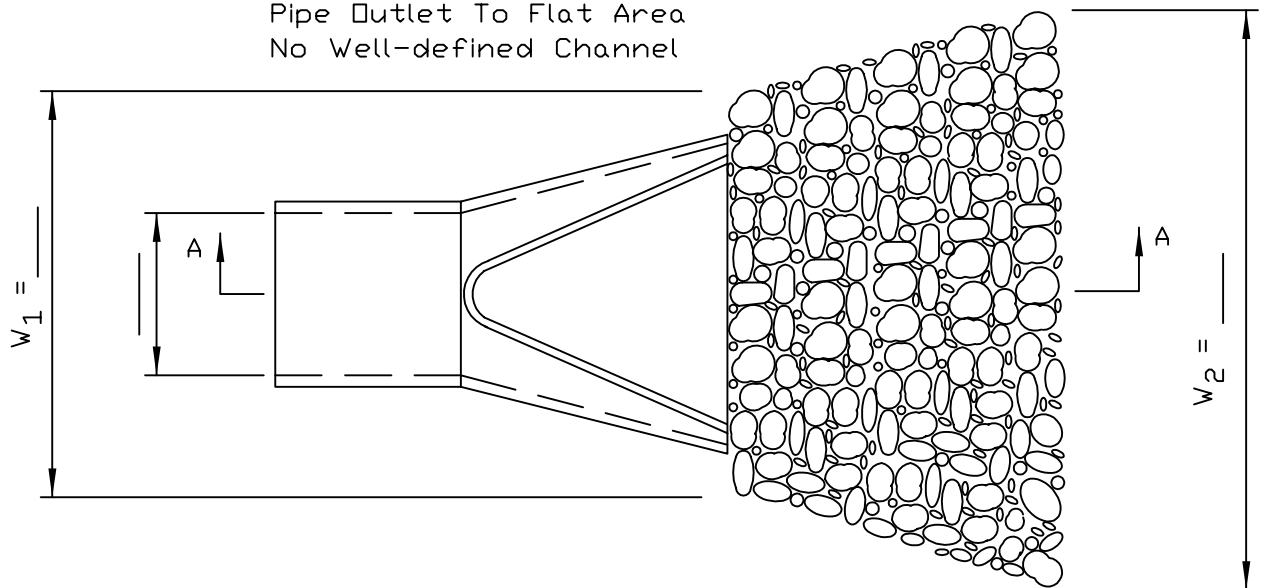
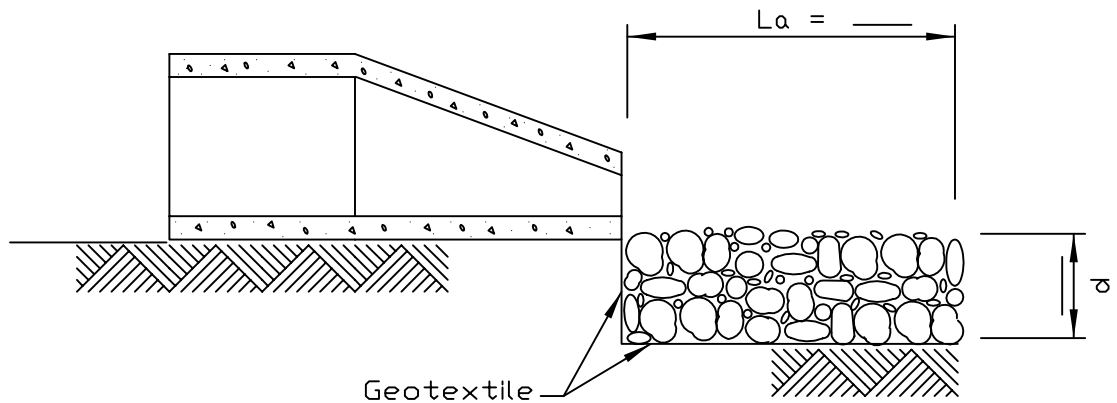


PIPE OUTLET TO FLAT AREA

Pipe Outlet To Flat Area
No Well-defined Channel



PLAN



SECTION A-A

NOTES:

1. The filter fabric shall meet the requirements in material specifications 592 GEOTEXTILE Table 1 or 2, class I, II or III.
2. The rock riprap shall meet the IDOT requirements for the following gradation: RR _____, Quality _____.
3. The riprap shall be placed according to construction specification 61 LOOSE ROCK RIPRAP. The rock may be equipment placed.

| | |
|-----------|------------------|
| REFERENCE | |
| Project | _____ |
| Designed | _____ Date _____ |
| Checked | _____ Date _____ |
| Approved | _____ Date _____ |



| | |
|-------------------|---------|
| STANDARD DWG. NO. | IL-610 |
| SHEET | 1 OF 1 |
| DATE | 9-15-93 |