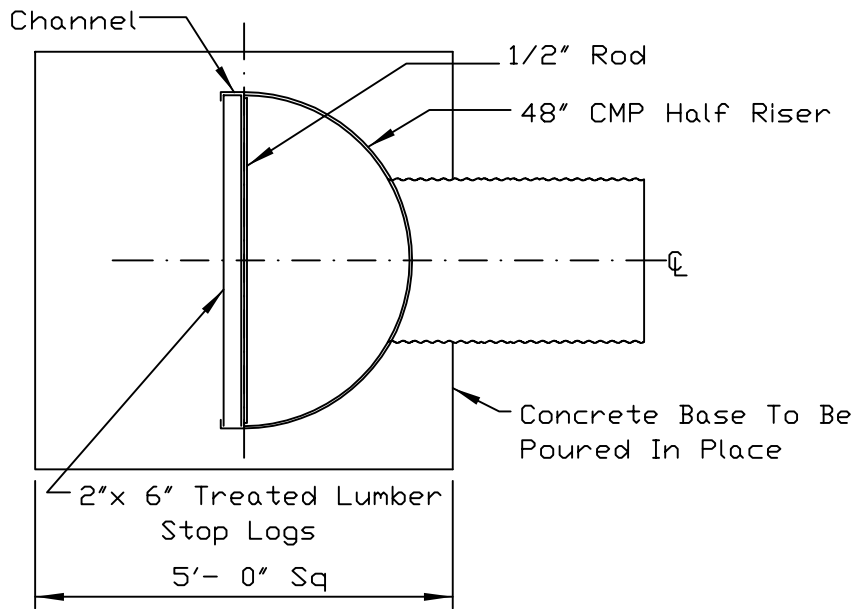
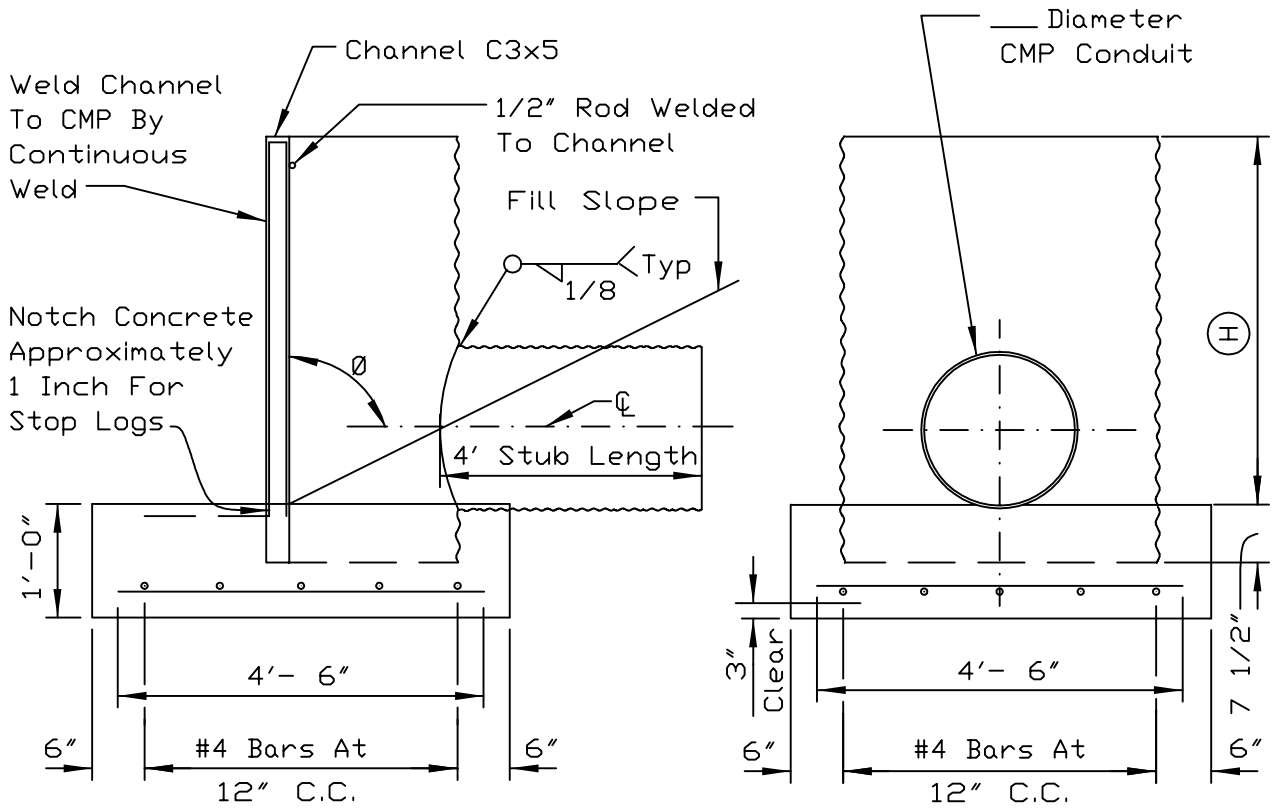


CMP WATER CONTROL STRUCTURE



PLAN



SIDE ELEVATION

DOWNSTREAM ELEVATION

REFERENCE	
Project	_____
Designed	_____ Date _____
Checked	_____ Date _____
Approved	_____ Date _____



NRCS

Natural Resources Conservation Service

STANDARD DWG. NO.
IL-594
SHEET 1 OF 2
DATE 4-29-94