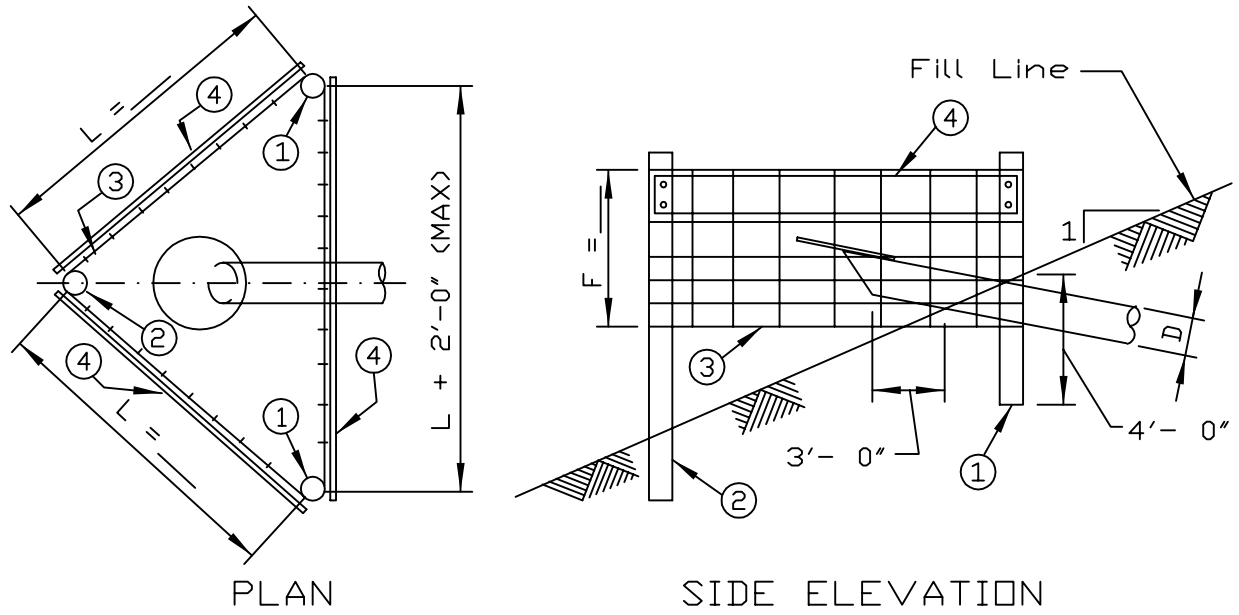


TRASH RACKS FOR HOODED INLET



BILL OF MATERIALS			
MARK	QUANTITY	DESCRIPTION	LENGTH
1	2	Wood post, 6" tip, pressure treated	
2	1	Wood post, 6" tip, pressure treated	
3	1	Fence, woven wire, No. 9 top and bottom, with 12" stays ___ " high.	
—		Staples - Mark (3) to (1) and (2)	1 1/4"
4	3	Wood plank 2" thick x 6" wide x L + 6", pressure treated.	
	12	3/8" dia lag screws with flat washers, mark (4) to (1) and (2)	4 1/2"

NOTE: Fence and staples to be galvanized and lag screws cadmium plated.

DIMENSIONS					
D PIPE	L FT.	F IN.	LIN.FT. OF FENCE	POST LENGTH FT.*	
				(1)	(2)
6" - 12"	8 - 0	35		7 - 0	9 - 0
15" - 18"	10 - 0	47		8 - 0	10 - 0

* Length of post based on 3:1 slope.

REFERENCE
 Project _____
 Designed _____ Date _____
 Checked _____ Date _____
 Approved _____ Date _____



STANDARD DWG. NO.
 IL-591
 SHEET 1 OF 1
 DATE 8-11-93