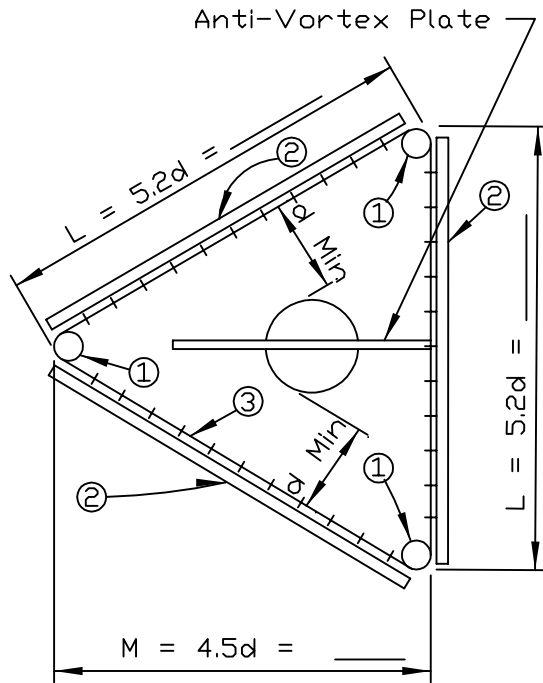
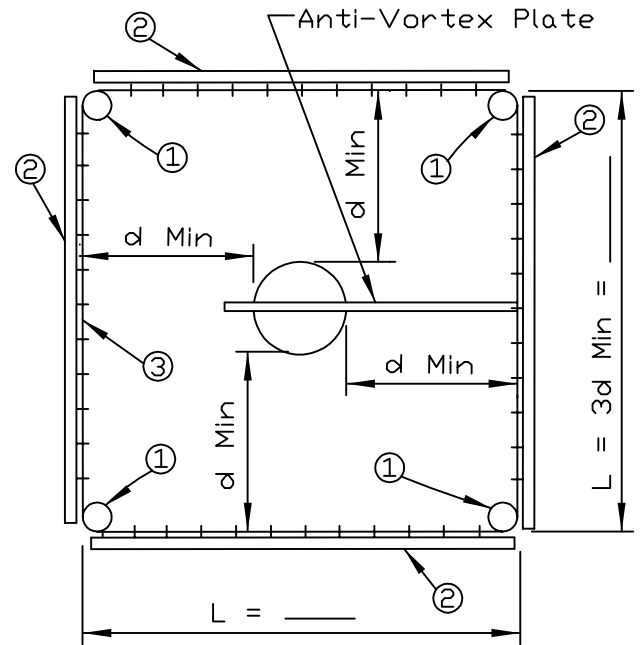


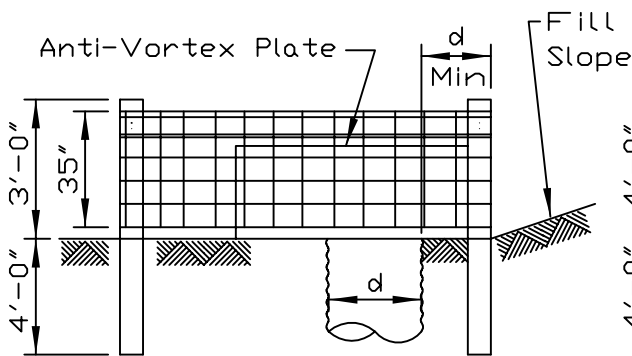
TRASH RACKS FOR PIPE DROP INLET



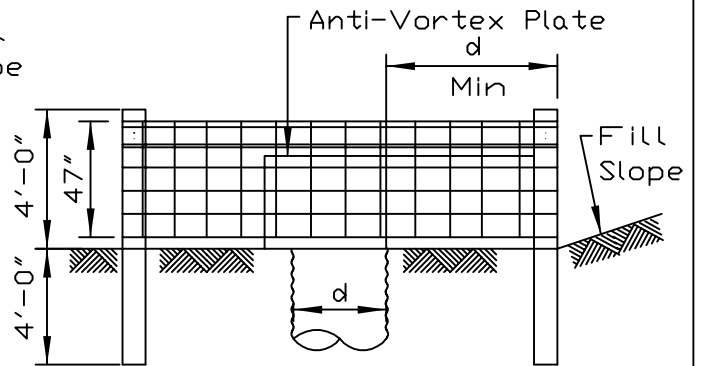
PLAN



PLAN



ELEVATION



ELEVATION

NOTE:
Triangle use limited to:
1. Stage of 2'-6" maximum
2. Riser dia. of 2'-0" maximum

NOTE:
Square use limited to:
1. Stage of 3'-6" max. with 47" fence
2. Riser dia. of 4'-0" maximum

REFERENCE
Project _____
Designed _____ Date _____
Checked _____ Date _____
Approved _____ Date _____



STANDARD DWG. NO.
IL-590
SHEET 1 OF 2
DATE 4-4-94