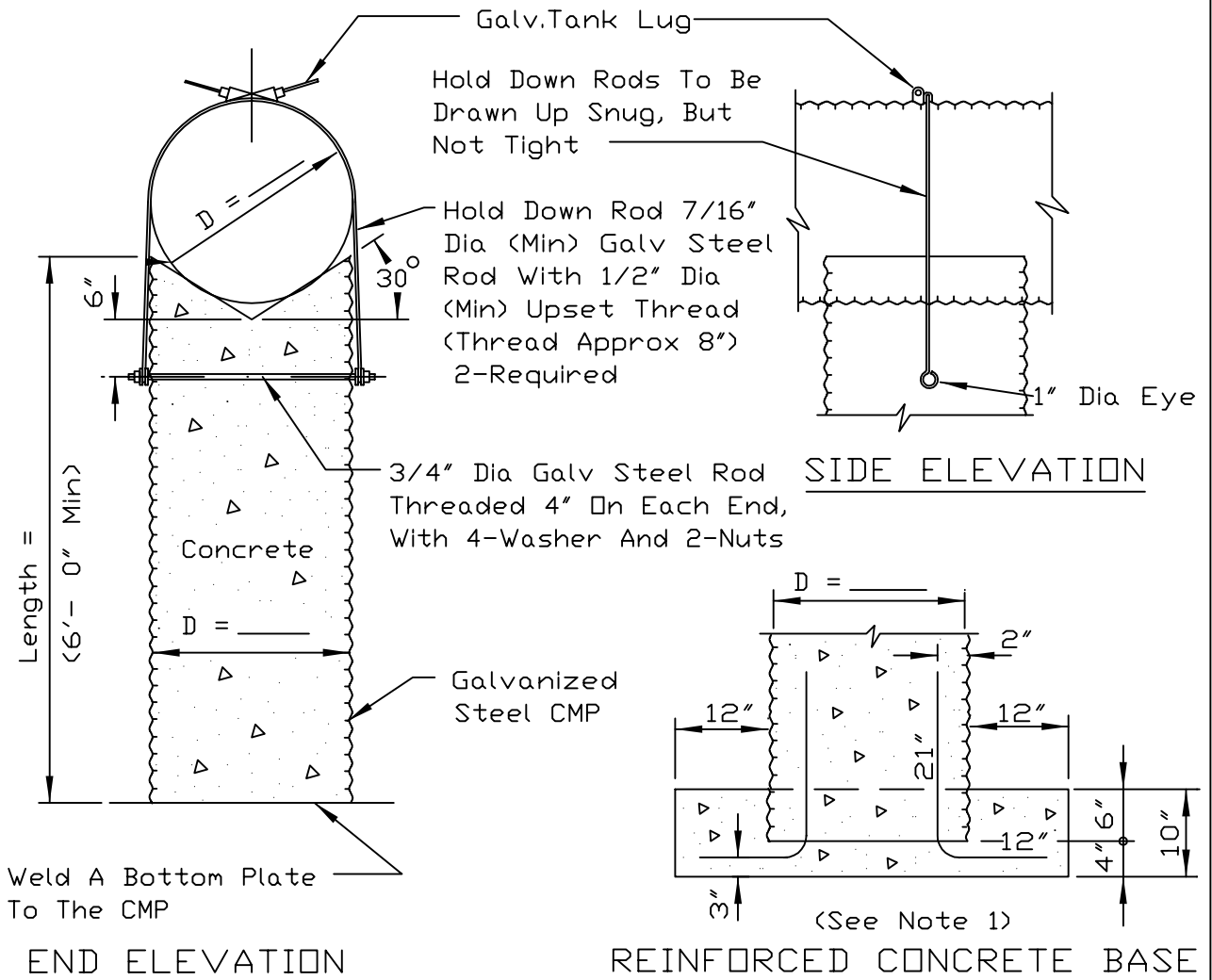


# CORRUGATED METAL PIPE SUPPORT



Weld A Bottom Plate To The CMP

**NOTES:**

1. If the pier has to be shortened because of bedrock, a 10" reinforced concrete base must be provided, instead of bottom plate, extending 12" beyond the pipe diameter using 4 - #4 re-bars, 33" long; bent as shown.
2. If principal spillway conduit is aluminum, the surfaces in contact with the concrete shall be separated with a layer of heavy roofing felt.

<b>REFERENCE</b>	
Project	_____
Designed	_____ Date _____
Checked	_____ Date _____
Approved	_____ Date _____



<b>STANDARD DWG. NO.</b>
IL-586
SHEET 2 OF 2
DATE 4-6-94