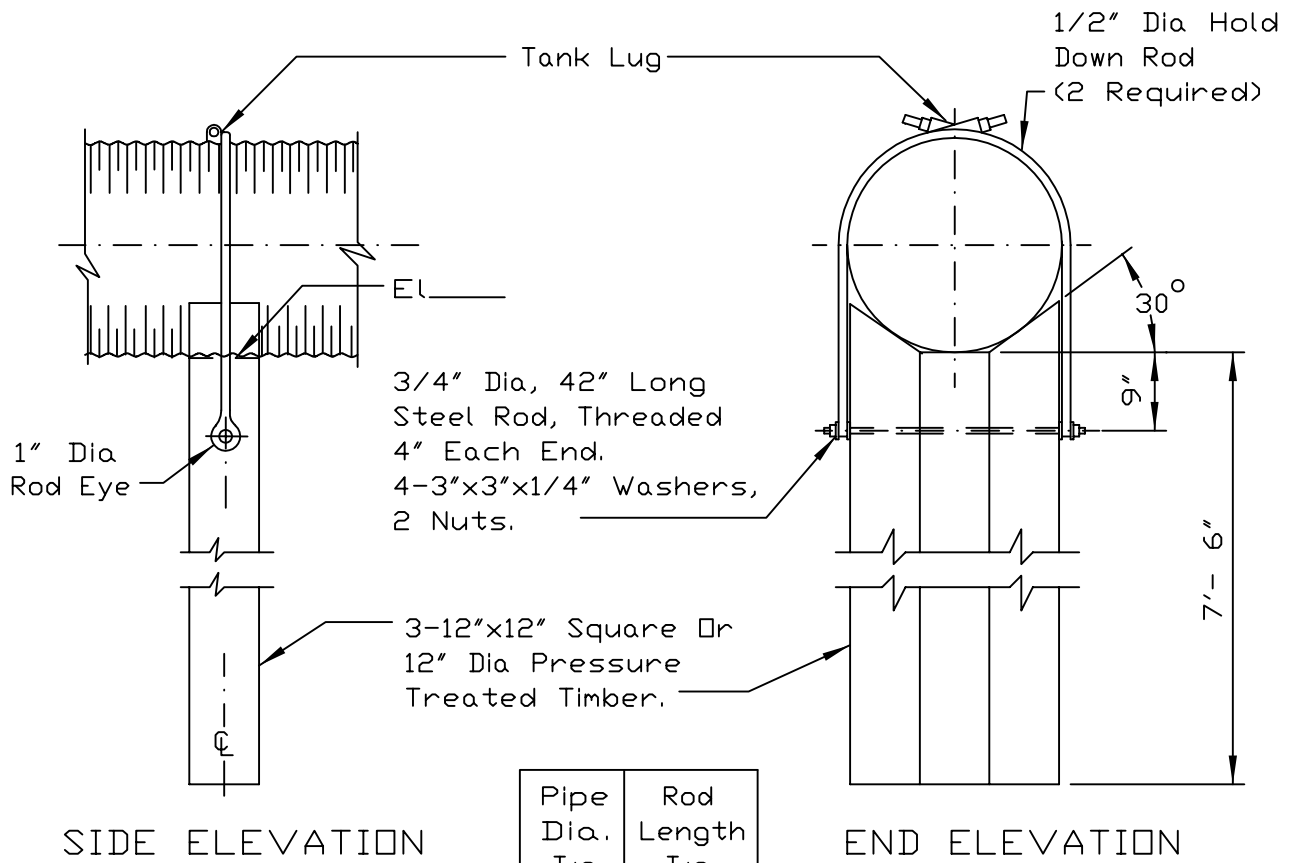
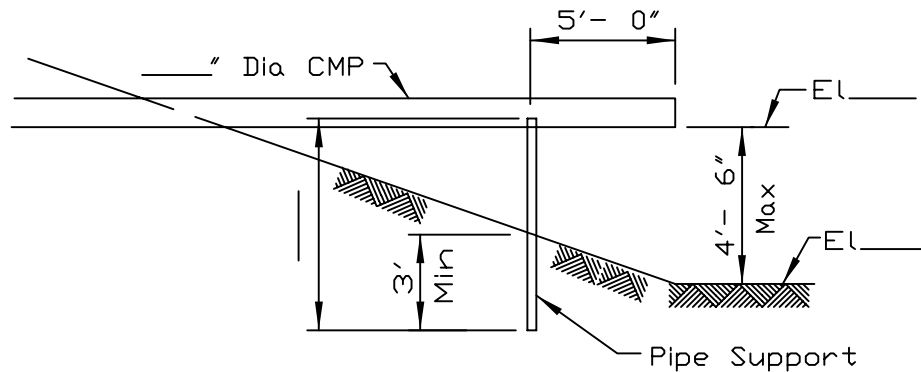


TIMBER PROP FOR 36"- 48" DIAMETER CMP



HOLD DOWN ROD DIMENSIONS



PROFILE ALONG ϕ OF OUTLET END OF PIPE

REFERENCE
 Project _____
 Designed _____ Date _____
 Checked _____ Date _____
 Approved _____ Date _____



STANDARD DWG. NO.
 IL-582
 SHEET 1 OF 1
 DATE 9-30-93