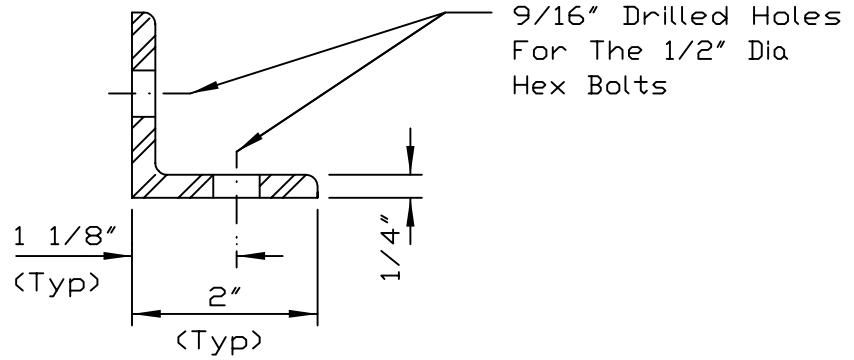


CMP DROP INLET AND BAFFLE



ANGLE DETAIL

TABLE SHOWING DIMENSIONS AND MATERIAL

DIMENSIONS	
Nominal Length (H) In Feet	
Gage Of Riser In Inches	
Gage Of Conduit In Inches	
∠ Angle In Degrees	
MATERIAL	
(D) Long 2"x 2"x 1/4" Angles	2
(F) Long 2"x 2"x 1/4" Angles	4
2" Long 2"x 2"x 1/4" Angle Clips	2
(D) Dia. 1/4" Thick Metal Plate	1
1/2"x1 1/2" Hex Bolts	20
1/2" Split Lockwashers	20
1/2" Hex Nuts	20
Number Of (L) Long #4 Reinforcing Bars	
Weight Of #4 Reinforcing Bars In Pounds	
Volume of Concrete In Cubic Yards	

REFERENCE
 Project _____
 Designed _____ Date _____
 Checked _____ Date _____
 Approved _____ Date _____



STANDARD DWG. NO.
 IL-578
 SHEET 3 OF 3
 DATE 3-1-95