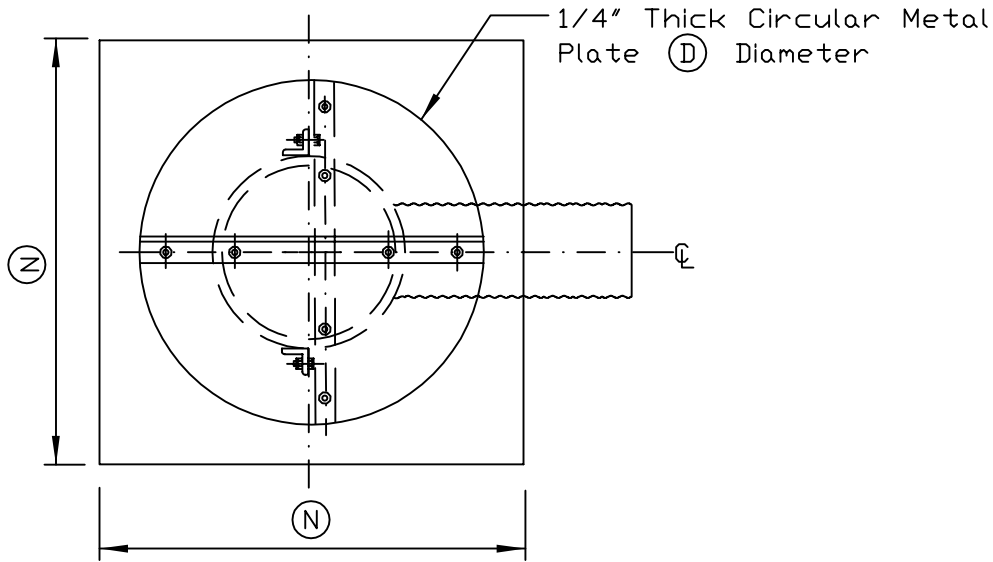
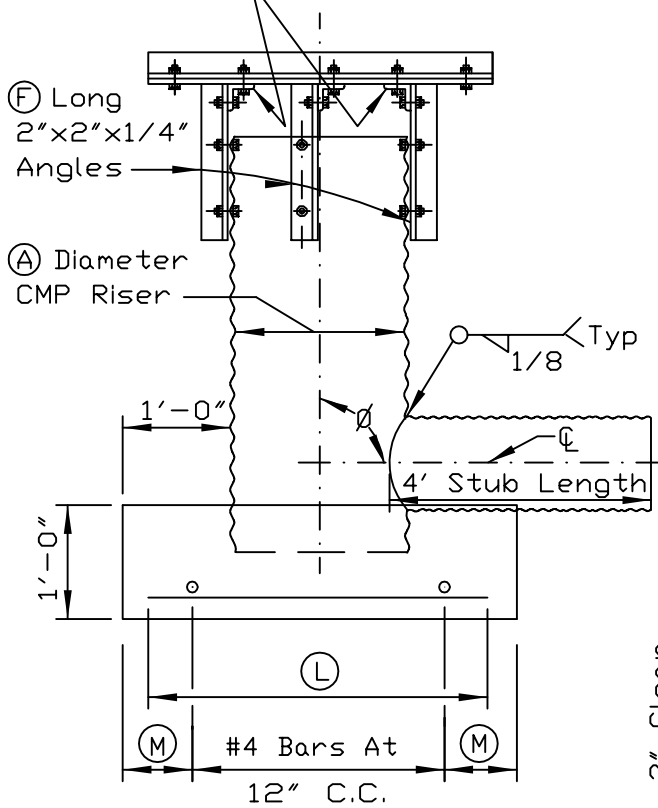


CMP DROP INLET AND BAFFLE

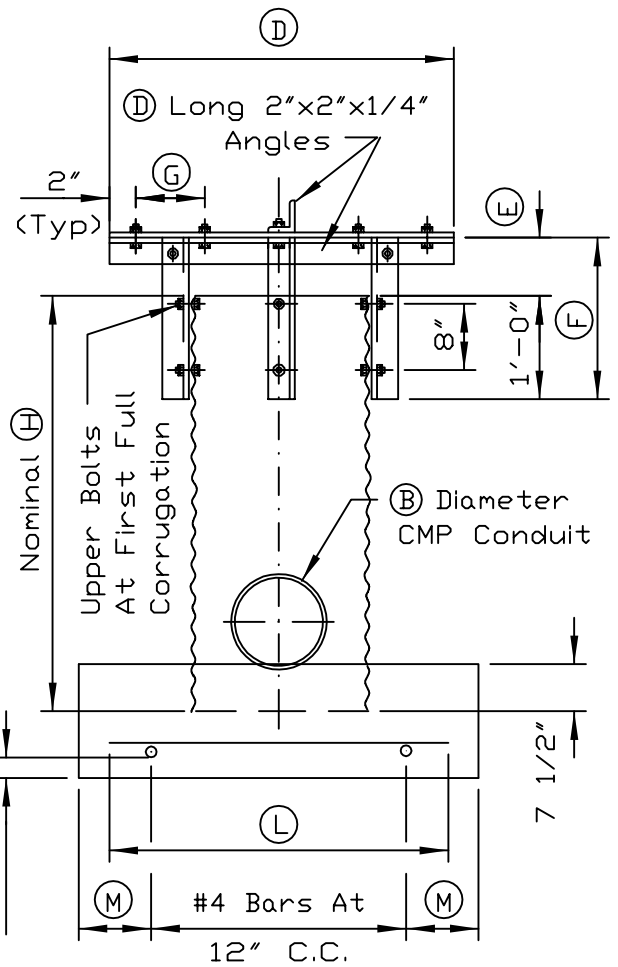


PLAN

2"x2"x1/4"x 2" Long
Angle Clips



SIDE ELEVATION



DOWNSTREAM ELEVATION

REFERENCE	
Project	_____
Designed	_____ Date _____
Checked	_____ Date _____
Approved	_____ Date _____



STANDARD DWG. NO.	IL-578
SHEET	1 OF 3
DATE	9-23-93