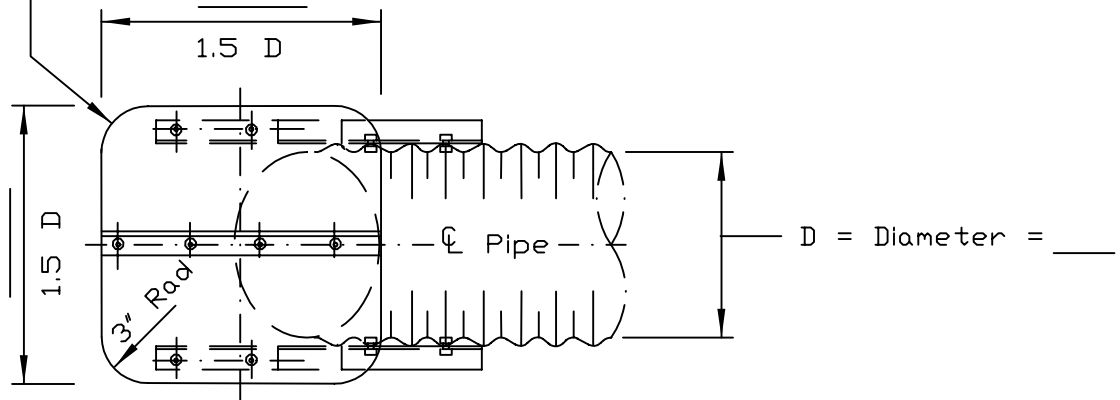
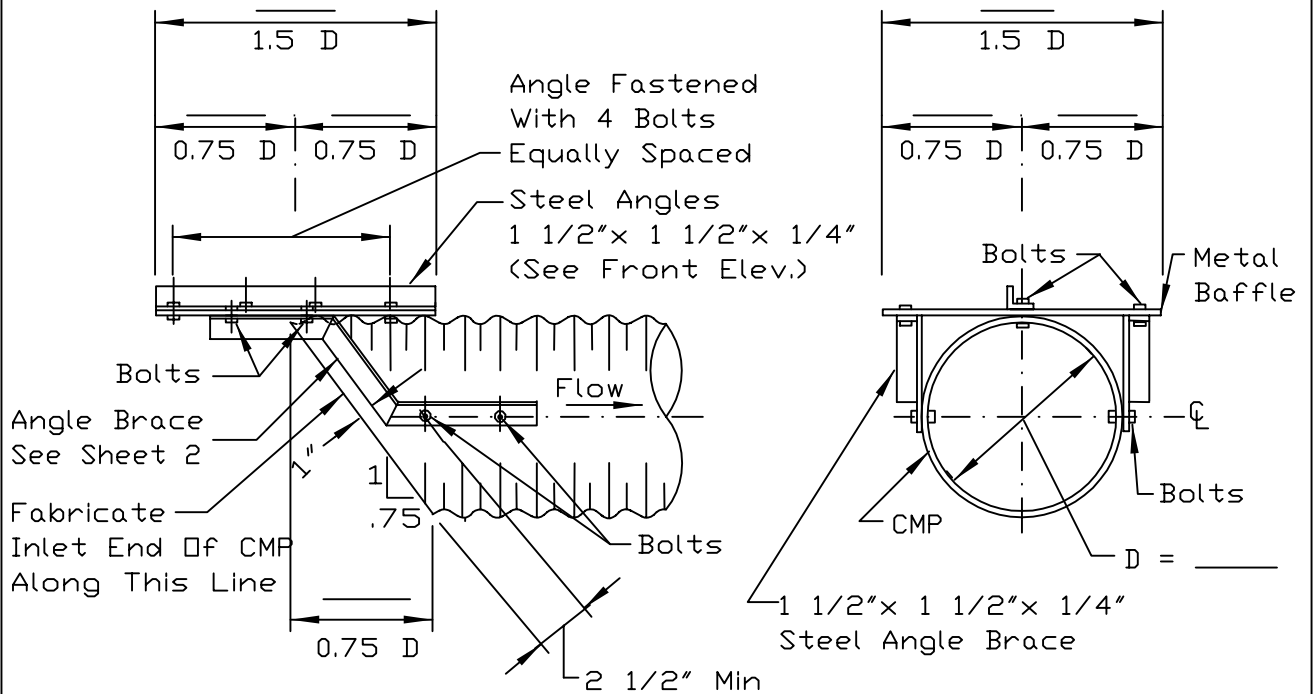


HOOD INLET WITH BAFFLE FOR CMP

Metal Baffle Shall Have The Same Coating As The Pipe To Which It Is Attached. Where Metal Baffle Is Fabricated Of More Than One Piece Of Metal, The Separate Pieces Shall Be Securely Fastened To Each Other. Sharp Corners Shall Be Removed. Metal Baffle May Be Made Of Corrugated Or Smooth Sheet Metal And Shaped Circular, Square Or As Shown.



PLAN



SIDE ELEVATION

FRONT ELEVATION

REFERENCE	
Project	_____
Designed	_____ Date _____
Checked	_____ Date _____
Approved	_____ Date _____



NRCS

Natural Resources Conservation Service

STANDARD DWG. NO.
IL-577
SHEET 1 OF 2
DATE 2-18-94