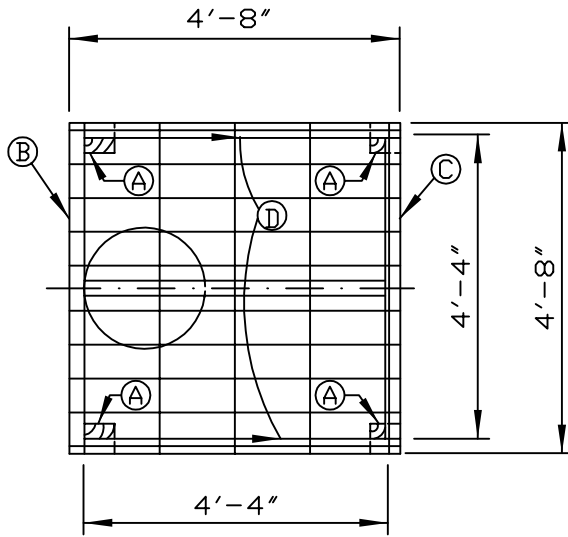
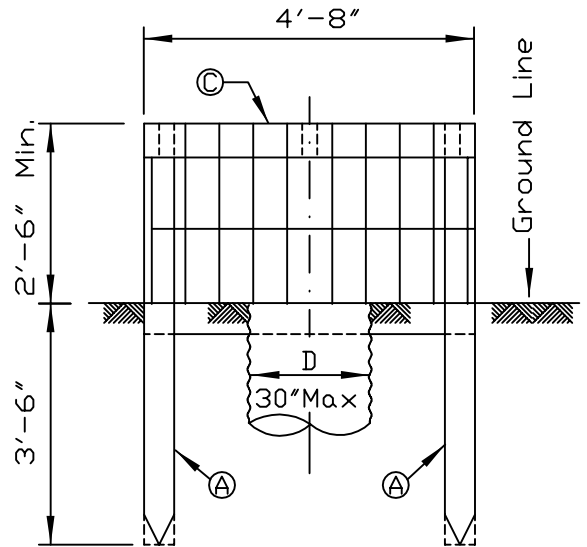


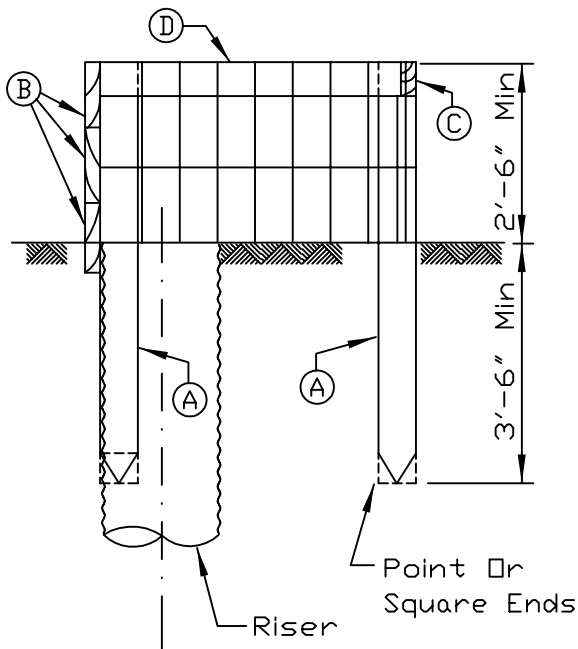
HEADWALL & SAFETY GUARD FOR PIPE RISERS



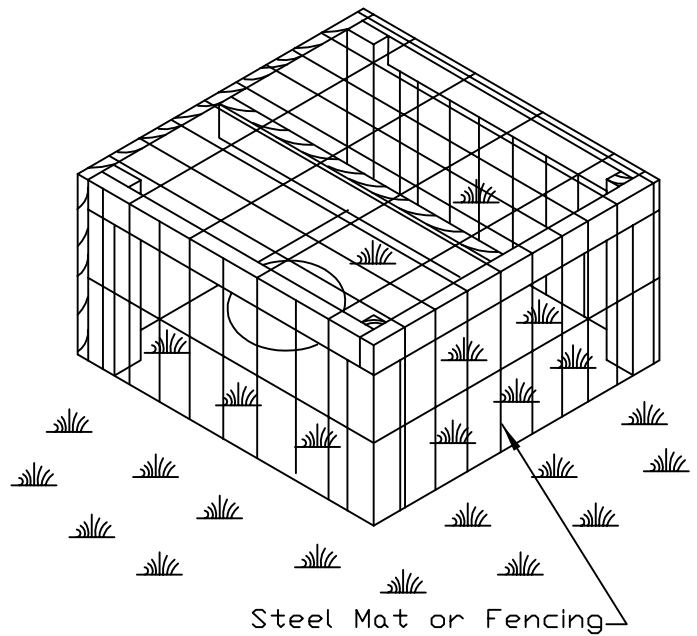
PLAN VIEW



FRONT ELEVATION



SIDE ELEVATION



ISOMETRIC VIEW

REFERENCE	
Project	_____
Designed	_____ Date _____
Checked	_____ Date _____
Approved	_____ Date _____



STANDARD DWG. NO.	IL-576
SHEET	1 OF 2
DATE	4-1-94