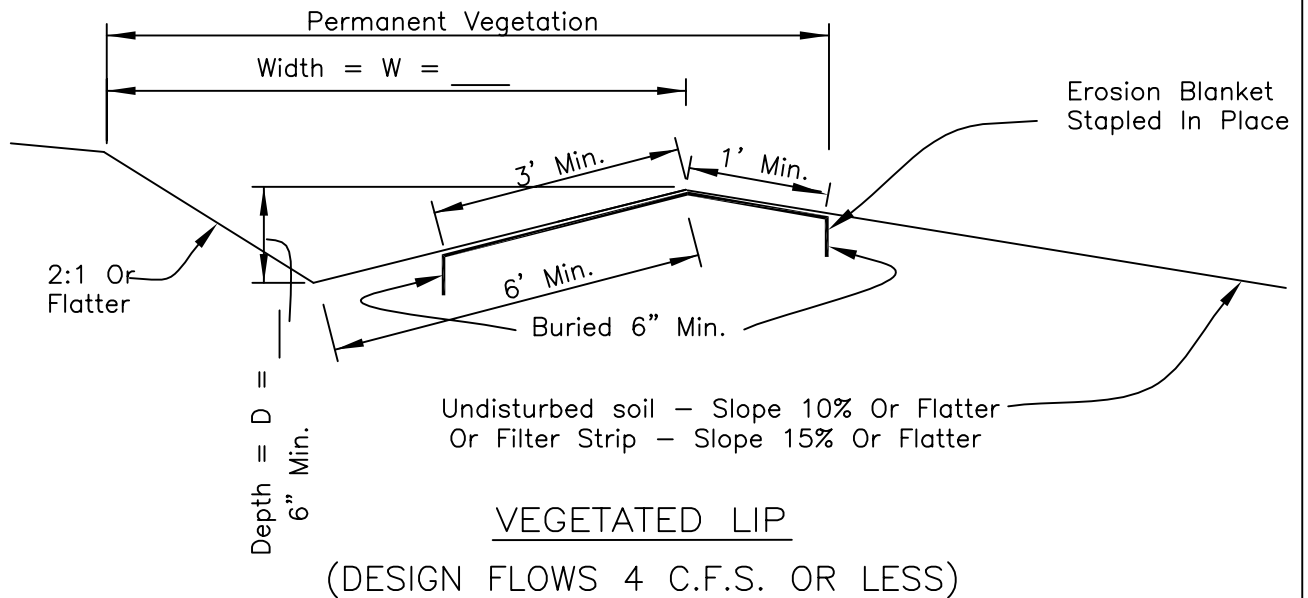
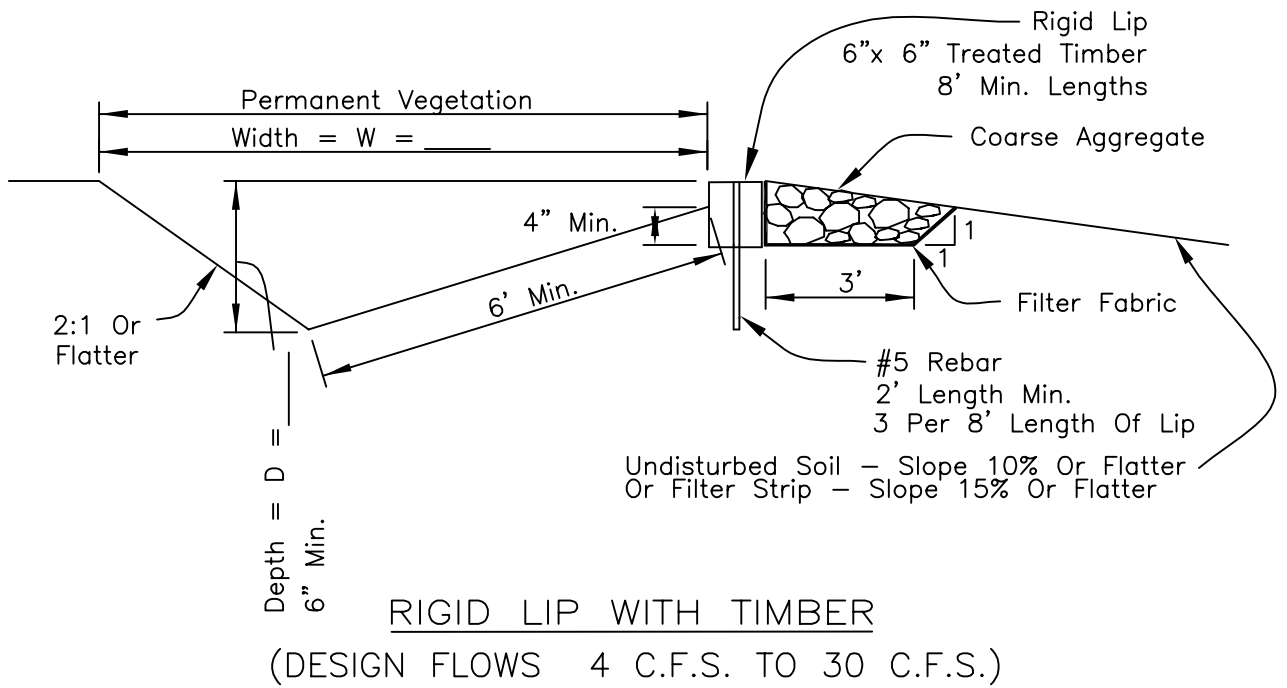


# LEVEL SPREADER



**NOTES:**

1. Coarse aggregate shall meet one of the following IDOT gradations: CA-1, or CA-3.
2. Filter fabric shall meet the requirements of material specification 592 GEOTEXTILE, Table 1 or 2, Class I, II, or IV.
3. See sheet FILTER STRIP-GRASSED IL-535 for filter strip requirements.
4. See sheet EROSION BLANKET IL-530 for blanket material and installation requirements.
5. See plans for permanent seeding requirements.
6. See plans for D and W dimensions.

<p>REFERENCE</p> <p>Project _____</p> <p>Designed _____ Date _____</p> <p>Checked _____ Date _____</p> <p>Approved _____ Date _____</p>	 <p style="font-size: 2em; font-weight: bold; margin: 0;">NRCS</p> <p style="font-size: 0.8em; font-weight: bold; margin: 0;">Natural Resources Conservation Service</p>	<p>STANDARD DWG. NO.</p> <p style="font-size: 1.5em; font-weight: bold; margin: 0;">IL-570</p> <p>SHEET 2 OF 2</p> <p>DATE 1-29-99</p>
---	---	--