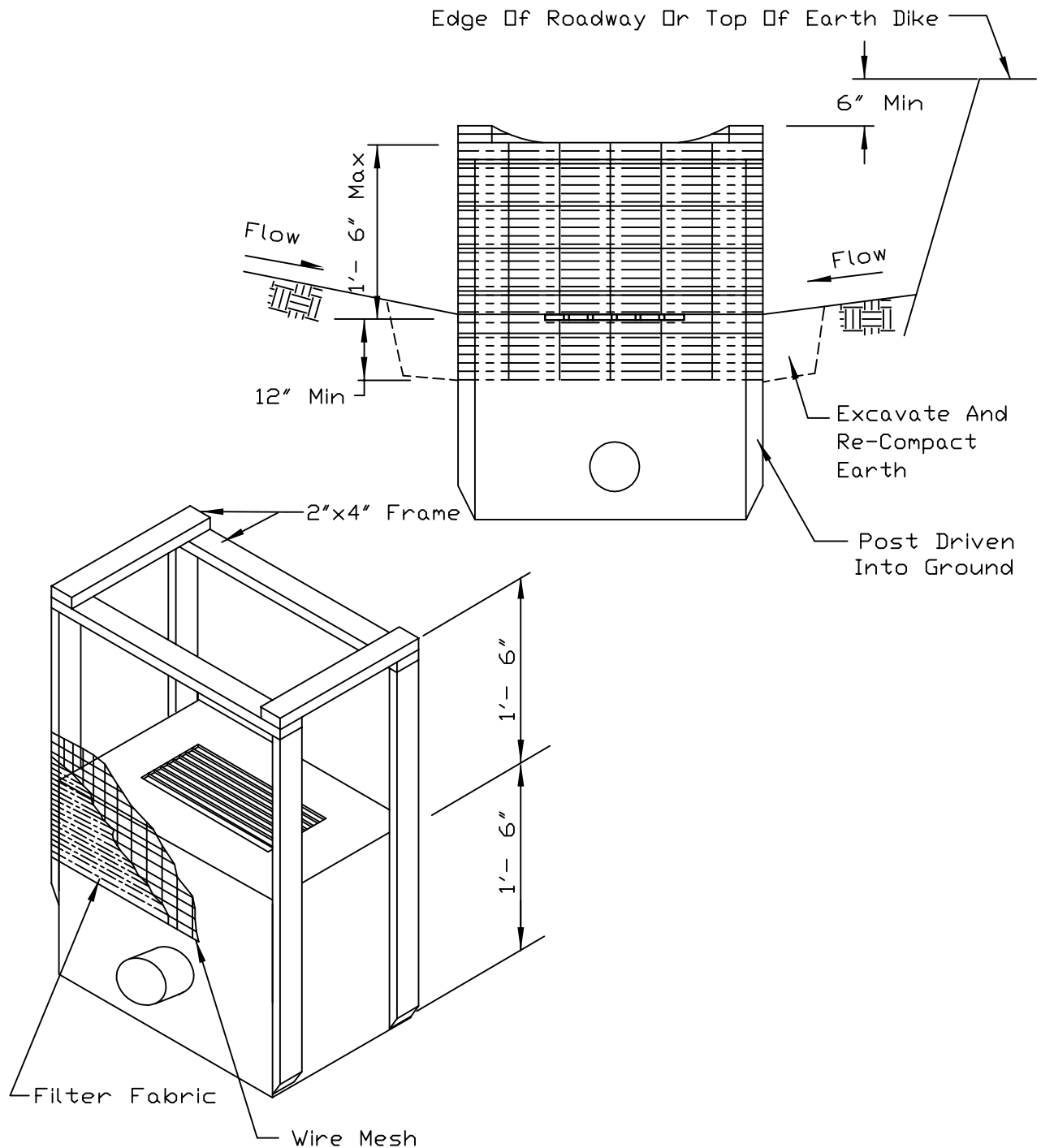


INLET PROTECTION - FABRIC DROP PLAN



NOTES:

1. Filter fabric shall meet the requirement of material specification 592 GEOTEXTILE table 1 or 2, class I, with an EDS of at least 30 for nonwoven and 50 for woven.
2. The wire mesh shall have a maximum opening of at least 6 inches.
3. Limit drainage area to the inlet protection to 1 acre.

REFERENCE			
Project	_____		
Designed	_____	Date	_____
Checked	_____	Date	_____
Approved	_____	Date	_____



NRCS

Natural Resources Conservation Service

STANDARD DWG. NO.
IL-560
SHEET 1 OF 1
DATE 6-29-93