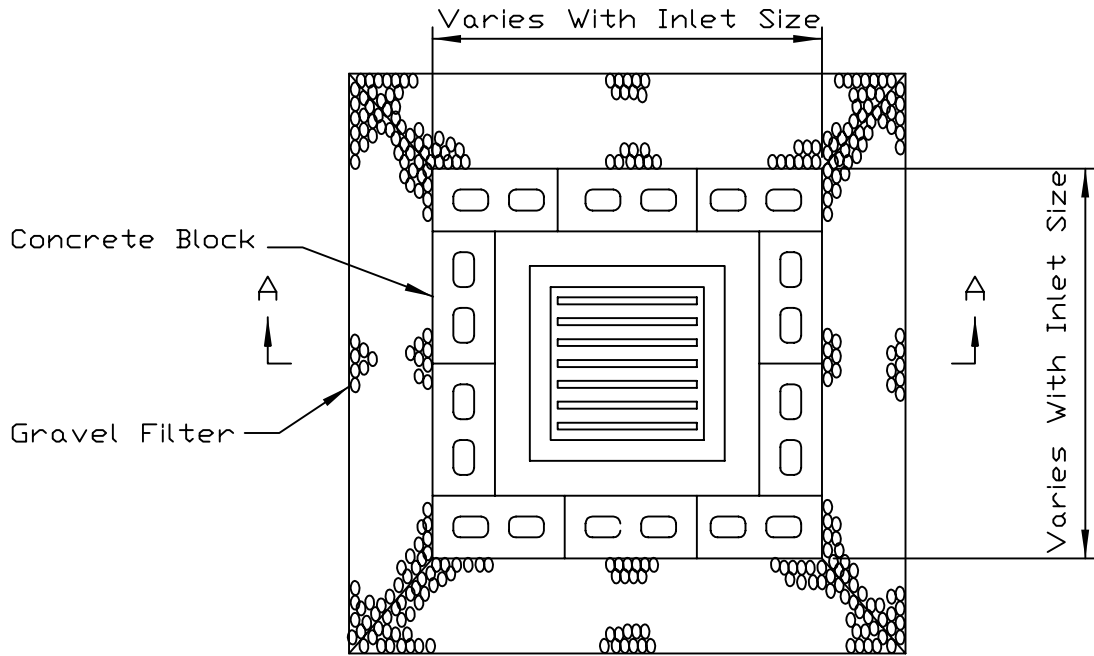
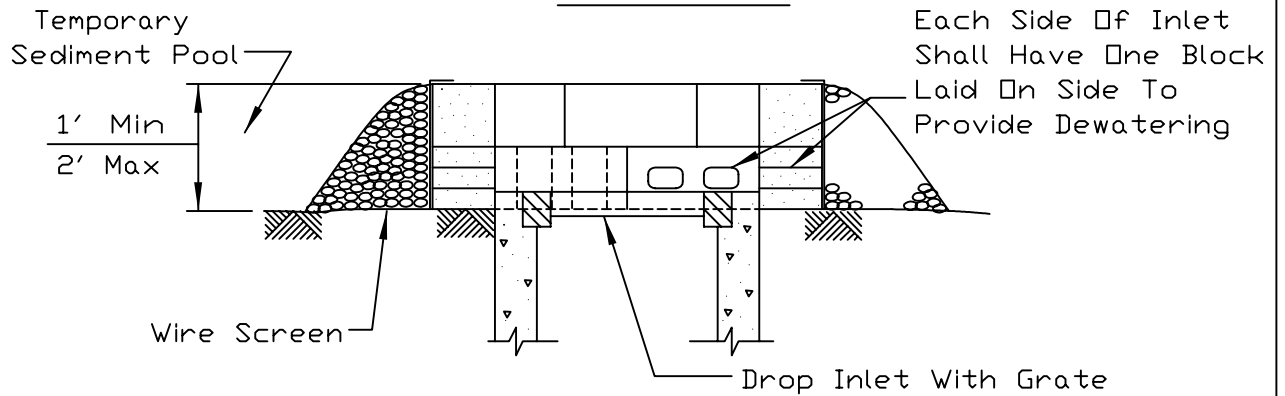


INLET PROTECTION - BLOCK AND GRAVEL PLAN



PLAN VIEW



SECTION A-A

NOTES:

1. Sediment shall be removed and the trap restored to its original dimensions when the sediment has accumulated to 1/2 the design depth. Removed sediment shall be deposited in a suitable area and in such a manner that it will not erode.
2. The sediment trap shall be removed and the area stabilized when the constructed drainage area has been properly stabilized.
3. The wire screen shall be hardware cloth or comparable wire mesh with 1/2 inch openings.
4. The gravel shall meet requirements for coarse aggregate with IDOT gradations of CA-1, CA-2 or CA-3.

REFERENCE	
Project	_____
Designed	_____ Date _____
Checked	_____ Date _____
Approved	_____ Date _____



STANDARD DWG. NO.
IL-550
SHEET 1 OF 1
DATE 8-17-94