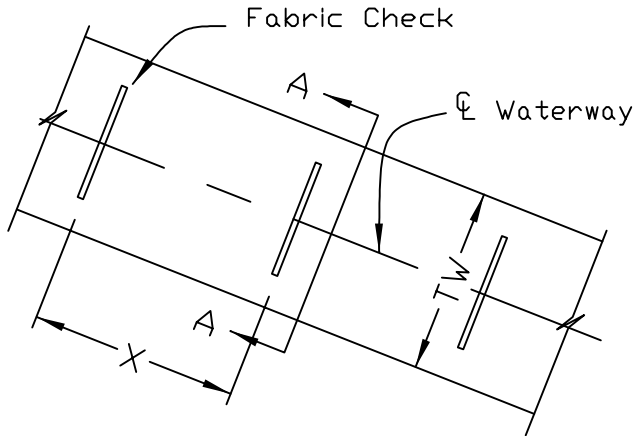
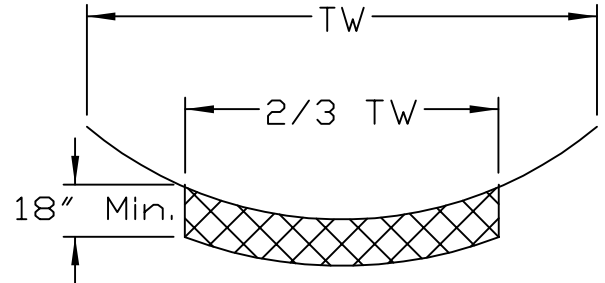


FABRIC CHECKS FOR WATERWAYS



PLAN VIEW



SECTION A-A

WATERWAY NUMBER _____

FROM STATION _____

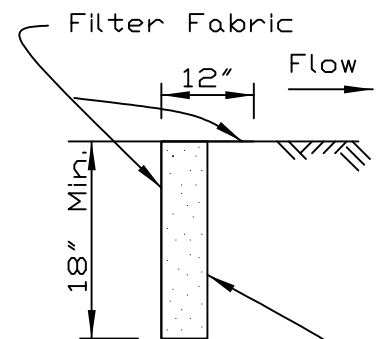
TO STATION _____

CHECK SPACING (X) .. _____

CHECK WIDTH (2/3 TW) _____

BILL OF MATERIALS

Filter Fabric ____ Sq. Yds.
 (____ Pieces, @ ____ In. x 30 In.)

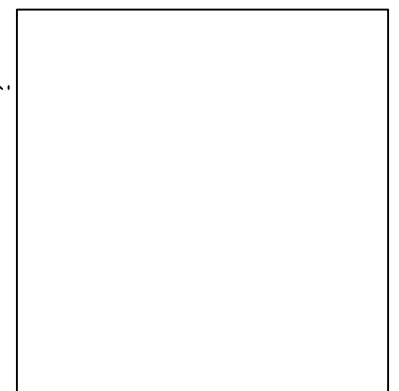


TYPICAL SECTION

NOTES:

1. Excavate a trench 18 inches deep, wide enough to allow hand compaction of backfill.
2. Place the fabric against the upstream wall of the trench. Backfill the trench in hand compacted, 6 inch lifts. Lay 12 inch fabric flap downstream.

LOCATION PLAN



County _____

Sec. ____ T ____ R ____

REFERENCE

Project _____

Designed _____ Date _____

Checked _____ Date _____

Approved _____ Date _____



NRCS

Natural Resources Conservation Service

STANDARD DWG. NO.
 IL-542

SHEET 1 OF 2

DATE 8-17-94