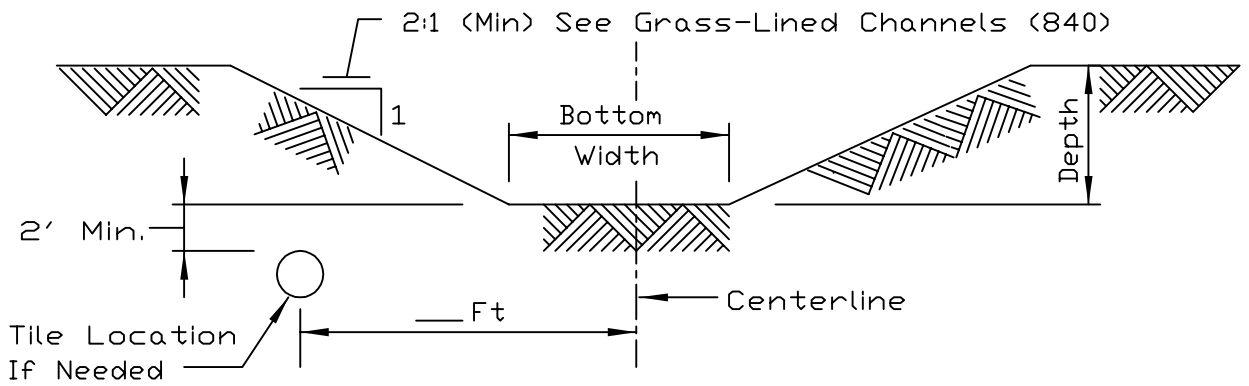


# WATERWAY PLAN



Waterway No.			
From Station			
To Station			
Grade, %			
Drainage Area, Ac			
Construction Layout Data			
Top Width, Ft.			
Bottom Width			
Side Slope			
Depth, Ft.			
Tile Diameter, In.			
Tile Length, Ft.			
Grade Check Spacing, Ft.			
Rock _____ Fabric _____			

**NOTES:**

1. All trees, stumps, brush and debris shall be removed from the construction area and disposed of properly.
2. When required, topsoil shall be salvaged and spread uniformly over disturbed areas.
3. Spoil material from construction will be deposited in low areas or otherwise spread so as not to interfere with flow of water into the waterway. Any earth fill shall be compacted to prevent differential settlement in the completed waterway. The waterway will be constructed to the specified grade, width and depth.
4. Temporary dikes may be constructed around the tops and sides of waterways to divert runoff from new seedlings. Temporary dikes shall be removed as soon as vegetation is established.

REFERENCE  
 Project \_\_\_\_\_  
 Designed \_\_\_\_\_ Date \_\_\_\_\_  
 Checked \_\_\_\_\_ Date \_\_\_\_\_  
 Approved \_\_\_\_\_ Date \_\_\_\_\_



NRCS

Natural Resources Conservation Service

STANDARD DWG. NO.  
 IL-540T  
 SHEET 1 OF 1  
 DATE 6-24-93