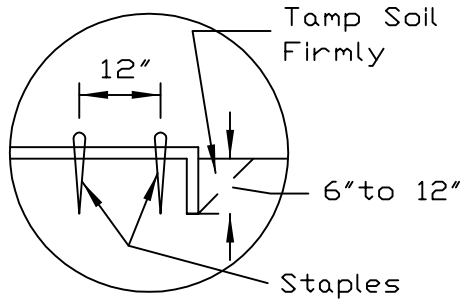


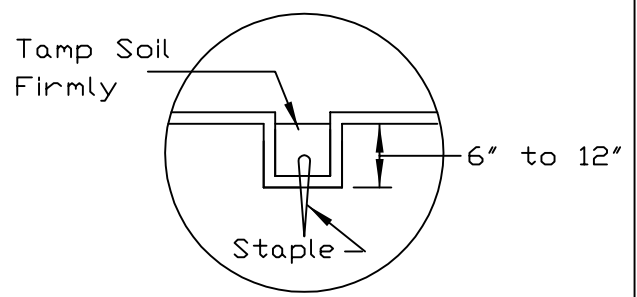
EROSION BLANKET PLAN



Anchor Slot

Jute Mesh
Excelsior Blanket
Erosion Control Paper

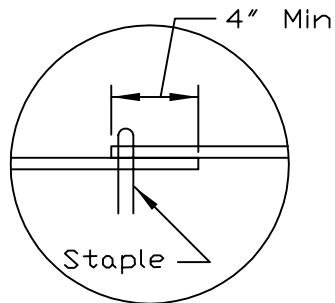
DETAIL 3



Check Slot

Erosion Control Paper

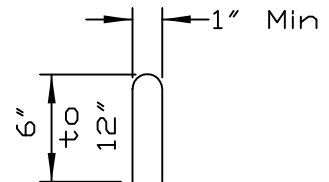
DETAIL 4



Lap Joint

Jute Mesh
Erosion Control Paper
Excelsior Blanket Shall
Be Butted Together.

DETAIL 5



STAPLE DETAIL

NOTES:

1. On erosion control paper, check slots, in ditch channel shall be spaced so that one occurs within each 50' on slopes of more than 4% and less than 6%. On slopes of 6% or more, they shall be spaced so that one occurs within each 25'.
2. Staples are to be placed alternately, in columns approximately 2' apart and in rows approximately 3' apart. Approximately 175 staples are required per 4'x 225' roll of material and 125 staples are required per 4'x 150' roll of material.
3. Erosion control material shall be placed loosely over ground surface. Do not stretch.
4. All terminal ends and transverse laps shall be stapled at approximately 12" intervals.

| | |
|-----------|------------------|
| REFERENCE | |
| Project | _____ |
| Designed | _____ Date _____ |
| Checked | _____ Date _____ |
| Approved | _____ Date _____ |



NRCS

Natural Resources Conservation Service

| |
|-------------------|
| STANDARD DWG. NO. |
| IL-530 |
| SHEET 2 OF 2 |
| DATE 3-1-95 |