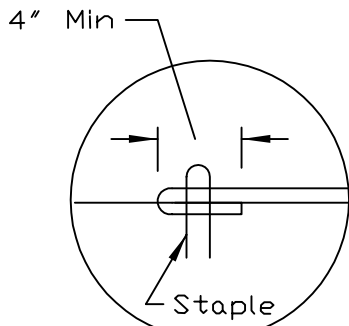
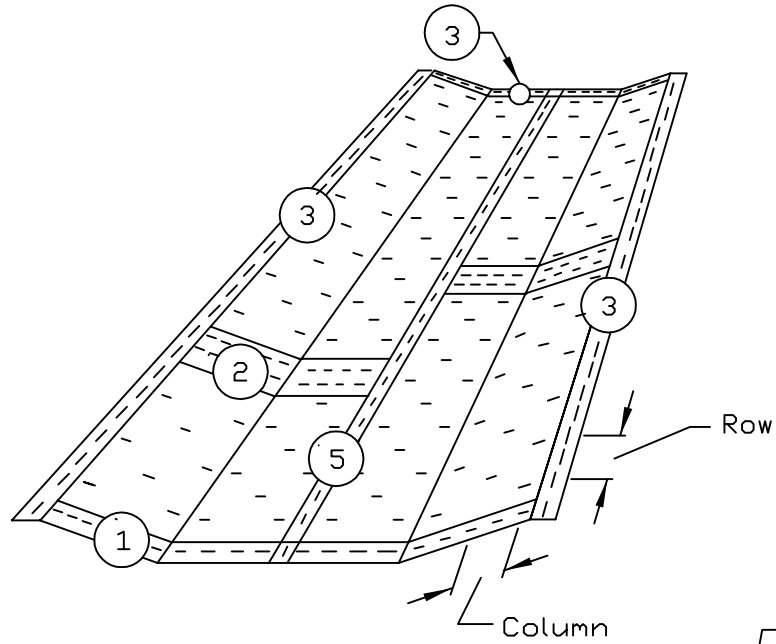
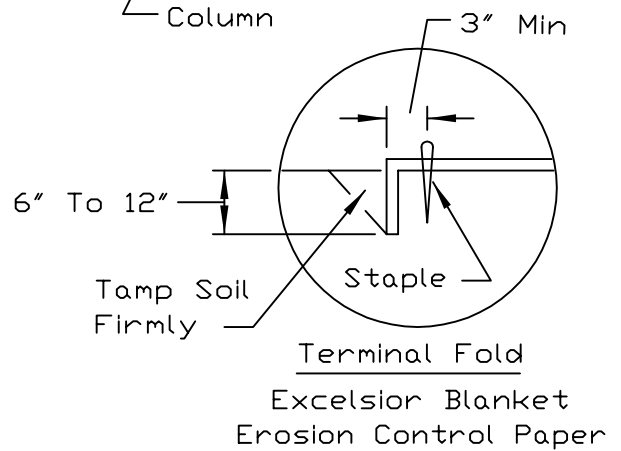


EROSION BLANKET PLAN

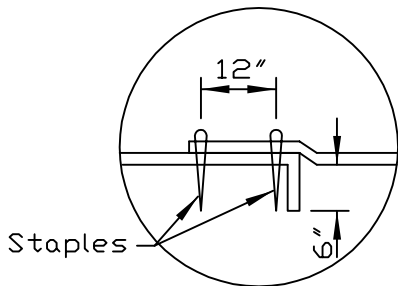


Terminal Fold
Jute Mesh Only

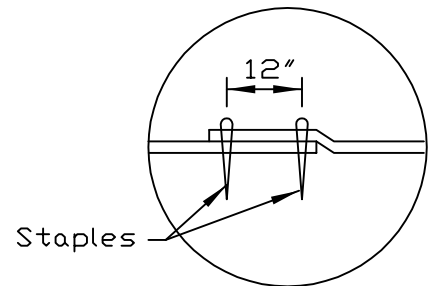


Terminal Fold
Excelsior Blanket
Erosion Control Paper

DETAIL 1



Junction Slot
Jute Mesh
Erosion Control Paper



Junction Slot
Excelsior Blanket

DETAIL 2

REFERENCE	
Project	_____
Designed	_____ Date _____
Checked	_____ Date _____
Approved	_____ Date _____



NRCS

Natural Resources Conservation Service

STANDARD DWG. NO.
IL-530
SEET 1 OF 2
DATE 5-24-94