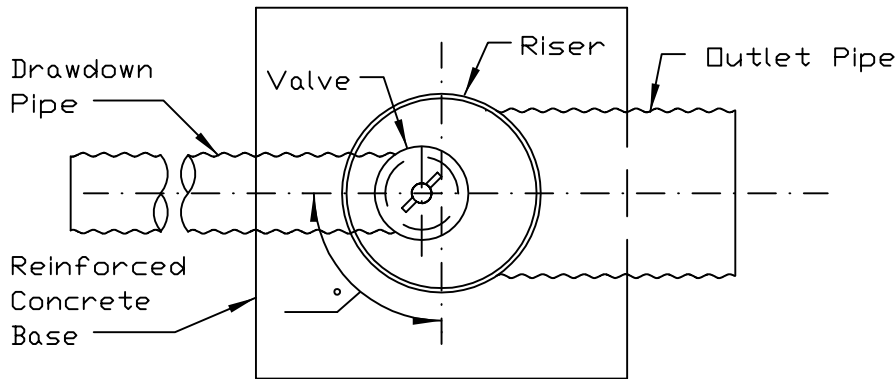
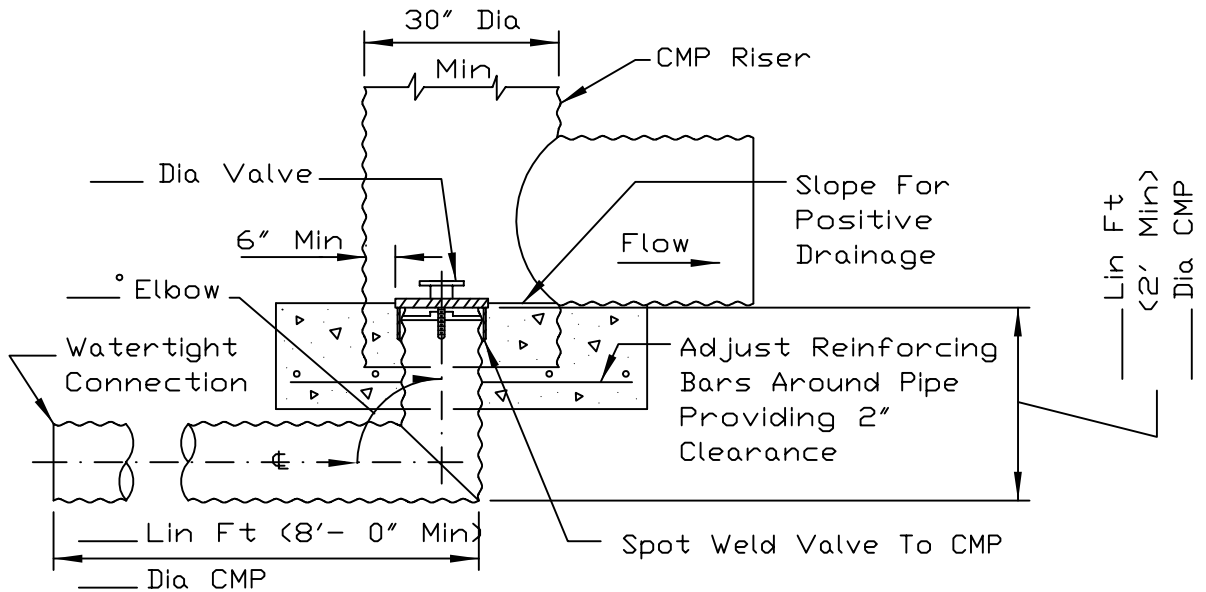


DRAIN DETAILS FOR PONDS WITH CMP RISERS USING 8", 10" & 12" VALVES

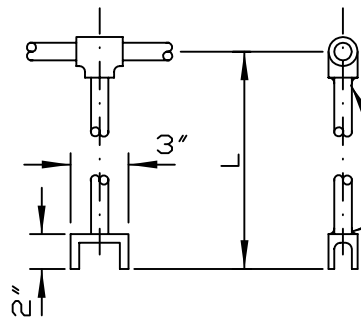


PLAN



SECTION ON CENTERLINE

NOTE:
Dimension "L"
Equals Distance
From Valve To
Top Of Trash
Rack Plus 4".



NOTE:
Use Alfalfa Valve Similar
To Thompsons Alfalfa Valve
Or Waterman's Type 3 Alfalfa
Frame And Valve, With Frame
Welded To Drawdown Pipe As
Shown.

1/8 Fillet Weld All Around

Fabricate From 3/4" Pipe And 1/4" x 2" Strap Iron

VALVE WRENCH DETAIL

REFERENCE	
Project	_____
Designed	_____ Date _____
Checked	_____ Date _____
Approved	_____ Date _____



NRCS

Natural Resources Conservation Service

STANDARD DWG. NO.	IL-121
SHEET	1 OF 1
DATE	3-1-95